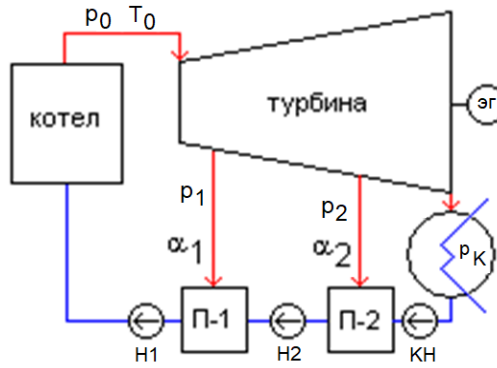


Расчет термического КПД паротурбинной установки с двумя регенеративными подогревателями

$p_0 := 130 \text{ atm}$ $T_0 := 540 \text{ }^\circ\text{C}$



Параметры ПТУ

$p_K := 30 \text{ mmHg}$

$$\eta_T(p_0, T_0, p_1, p_2, p_K) := \frac{l_{01} + l_{12} + l_{2K} - l_{KH} - l_{H2} - l_{PH}}{Q}$$

$$wf := \text{"H2O"}$$

$$\left[\begin{array}{l} T_K := \text{CoolProp_Props}(\text{"T"}, \text{"P"}, p_K, \text{"Q"}, 0.5, wf) \quad h'_{KH} := \text{CoolProp_Props}(\text{"H"}, \text{"P"}, p_K, \text{"T"}, T_K, wf) \\ T'_{H2} := \text{CoolProp_Props}(\text{"T"}, \text{"P"}, p_2, \text{"Q"}, 0.5, wf) \quad h'_{H2} := \text{CoolProp_Props}(\text{"H"}, \text{"P"}, p_2, \text{"T"}, T'_{H2}, wf) \\ T'_{H1} := \text{CoolProp_Props}(\text{"T"}, \text{"P"}, p_1, \text{"Q"}, 0.5, wf) \quad h'_{H1} := \text{CoolProp_Props}(\text{"H"}, \text{"P"}, p_1, \text{"T"}, T'_{H1}, wf) \\ T_{ПВ} := \text{CoolProp_Props}(\text{"T"}, \text{"P"}, p_0, \text{"S"}, s_{H1}, wf) \quad h''_{H2} := \text{CoolProp_Props}(\text{"H"}, \text{"P"}, p_0, \text{"T"}, T_{ПВ}, wf) \\ h_0 := \text{CoolProp_Props}(\text{"H"}, \text{"P"}, p_0, \text{"T"}, T_0, wf) \quad s := \text{CoolProp_Props}(\text{"S"}, \text{"P"}, p_0, \text{"T"}, T_0, wf) \\ h_1 := \text{CoolProp_Props}(\text{"H"}, \text{"P"}, p_1, \text{"S"}, s, wf) \quad h_2 := \text{CoolProp_Props}(\text{"H"}, \text{"P"}, p_2, \text{"S"}, s, wf) \\ T''_{H2} := \text{CoolProp_Props}(\text{"T"}, \text{"P"}, p_2, \text{"S"}, s_{H2}, wf) \quad h''_{KH} := \text{CoolProp_Props}(\text{"H"}, \text{"P"}, p_2, \text{"T"}, T''_{H2}, wf) \end{array} \right.$$

$$\left[\begin{array}{l} \alpha_1 \\ \alpha_2 \end{array} \right] := \text{roots} \left(\left[\begin{array}{l} \alpha_1 \cdot h_1 + (1 - \alpha_1) \cdot h''_{H2} = 1 \cdot h'_{H1} \\ \alpha_2 \cdot h_2 + (1 - \alpha_1 - \alpha_2) \cdot h''_{KH} = (1 - \alpha_1) \cdot h'_{H2} \end{array} \right], \left[\begin{array}{l} \alpha_1 \\ \alpha_2 \end{array} \right] \right)$$

$$\left[\begin{array}{l} l_{01} := 1 \cdot (h_0 - h_1) \quad l_{12} := (1 - \alpha_1) \cdot (h_1 - h_2) \quad l_{2K} := (1 - \alpha_1 - \alpha_2) \cdot (h_2 - h_K) \\ l_{KH} := (1 - \alpha_1 - \alpha_2) \cdot (h''_{KH} - h'_{KH}) \quad l_{H2} := (1 - \alpha_1) \cdot (h''_{H2} - h'_{H2}) \\ l_{PH} := 1 \cdot (h_{ПВ} - h'_{H1}) \quad Q := 1 \cdot (h_0 - h_{ПВ}) \end{array} \right]$$

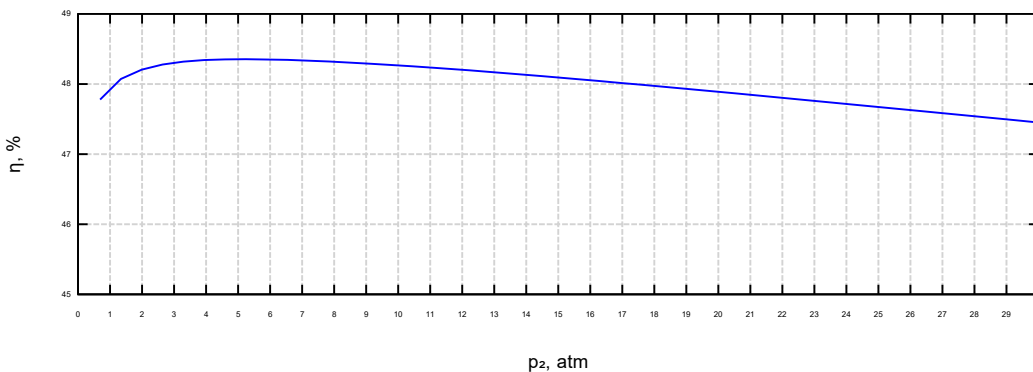
$\eta_T(p_0, T_0, p_0, p_0, p_K) = 43.88 \%$

$\eta_T(p_0, T_0, p_K, p_K, p_K) = 43.88 \%$

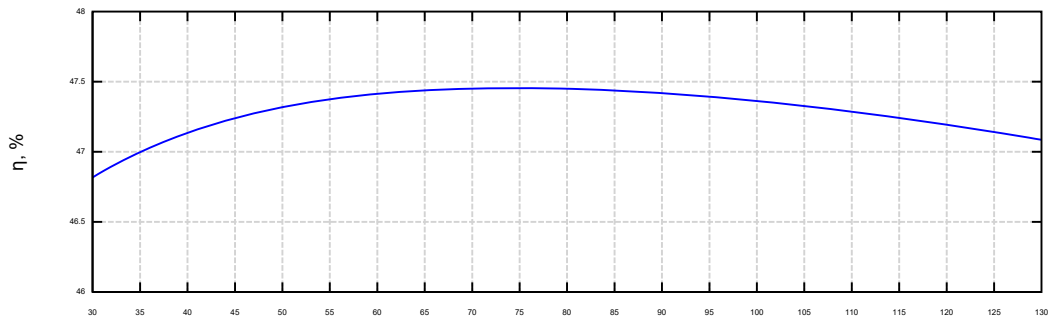
$\eta_T(p_0, T_0, 30 \text{ atm}, 30 \text{ atm}, p_K) = 46.82 \%$

$\eta_T(p_0, T_0, 70 \text{ atm}, 30 \text{ atm}, p_K) = 47.45 \%$

$$p := \left[p_0, p_0 - \frac{p_0 - p_K}{200} \cdot p_K \right]$$



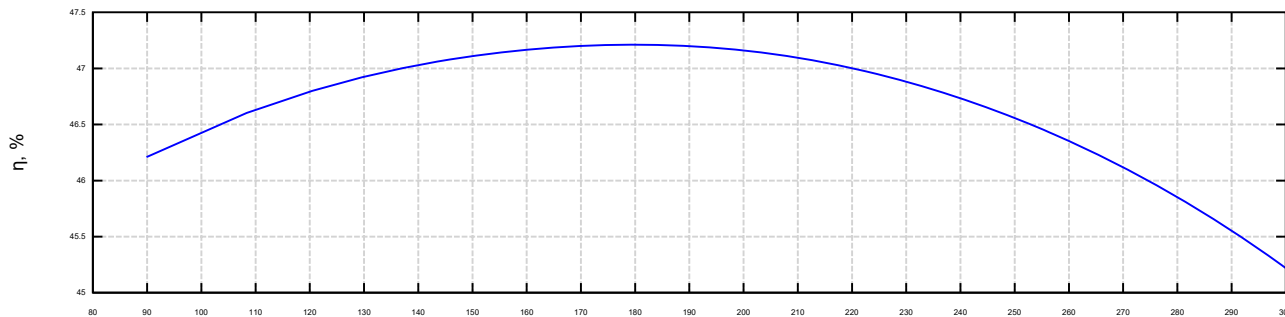
$$\text{augment} \left(\frac{p}{\text{atm}}, \frac{\eta_T(p_0, T_0, p, 30 \text{ atm}, p_K)}{\%} \right)$$



p1, atm

$$\text{augment} \left(\frac{p}{\text{atm}}, \frac{\eta_T(p_0, T_0, p, 30 \text{ atm}, p_K)}{\%} \right)$$

Один отбор пара - параметрический график



Температура питательной воды, °C

$$\text{augment} \left(\frac{\text{CoolProp_Props}("T", "P", p, "Q", 0, "H2O")}{\text{K}} - 273.15, \frac{\eta_T(p_0, T_0, p, p, p_K)}{\%} \right)$$